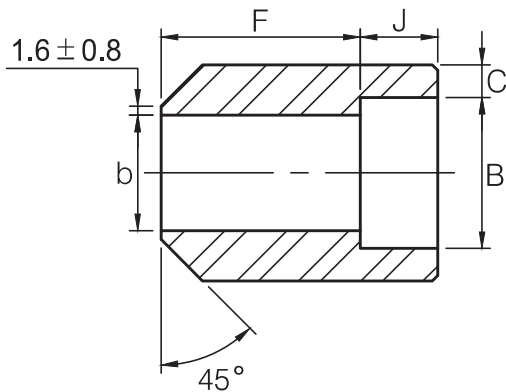


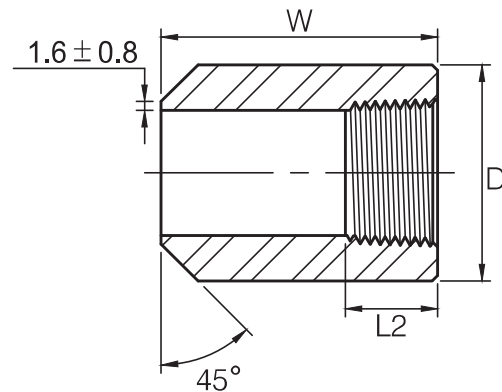


BOSS

BS3799-1974



Dimensions are in millimeters.



Dimensions are in millimeters.

Socket weld						
Nom. Pipe Size	DN	B (Min)	b	J (Min)	F	C (Min)

3000Lb						
1/8	6	10.7	6.8	10.0	28.0	3.2
1/4	8	14.1	9.2	10.0	32.0	3.3
3/8	10	17.6	12.5	11.0	34.0	3.5
1/2	15	21.8	15.5	13.0	38.0	4.1
3/4	20	27.4	21.0	13.0	38.0	4.3
1	25	34.1	26.5	16.0	35.0	5.0
1-1/2	40	49.0	40.5	19.0	32.0	5.6
2	50	61.0	52.0	22.0	29.0	6.1
2-1/2	65	73.8	62.0	22.0	29.0	7.7
3	80	89.7	78.0	22.0	29.0	8.3

6000Lb						
1/2	15	21.8	11.8	13.0	38.0	5.2
3/4	20	27.4	15.5	13.0	38.0	6.1
1	25	34.1	20.7	16.0	35.0	7.0
1-1/2	40	49.0	34.0	19.0	32.0	7.8
2	50	61.0	43.0	22.0	29.0	9.5
2-1/2	65	73.8	54.0	22.0	29.0	10.4
3	80	89.7	66.0	22.0	29.0	12.2

Threaded				
Nom. Pipe Size	DN	D	W	L2 (Min)

3000Lb				
1/8	6	16.0	38.0	6.70
1/4	8	19.0	41.0	10.21
3/8	10	22.0	45.0	10.36
1/2	15	29.0	51.0	13.56
3/4	20	35.0	51.0	13.86
1	25	45.0	51.0	17.34
1-1/2	40	64.0	51.0	18.38
2	50	76.0	51.0	19.22
2-1/2	65	95.0	51.0	28.89
3	80	110.0	57.0	30.48
4	100	140.0	64.0	33.02

6000Lb				
1/8	6	22.0	38.0	6.70
1/4	8	26.0	41.0	10.21
3/8	10	32.0	45.0	10.36
1/2	15	38.0	51.0	13.56
3/4	20	45.0	51.0	13.86
1	25	60.0	51.0	17.34
1-1/2	40	76.0	51.0	18.38
2	50	95.0	51.0	19.22

DIMENSIONAL TOLERANCE OF BS3799

BS3799-1974

Unit: mm

Item	Type of pipe fitting	DN	6~8	10~20	25~50	65~80
		NPS	1/8"~1/4"	3/8"~3/4"	1"~2"	2-1/2"~3"
Concentricity of bore (X)	All fittings	±0.8				
Coincidence of axes (Y)		± 1 / 200				
Bore diameter of fitting (b)	Boss & Hex Nipple	±0.4				±0.8
Bottom of socket to opposite face	Boss	±0.8	±1.5	±2.0	±2.5	