



THAI SON MECHANICAL CO., LTD.

Tax code: 0309279597

Add: 679/34 Nguyen Kiem St., Ward 3, Go Vap Dist, HCMC.

HCM branch: No. 1007 Phan Van Tri Str., Ward. 7, Go Vap Dist., HCMC. | HN branch: 377 La Thanh Str., Thanh Cong Ward, Ba Dinh Dist., HN.
 Email: key@thaisonmech.com - Tel: +848.6295.7120 Fax: +848.6295.7124 | Email: hn@thaisonmech.com - Tel: (04) 62.777.323 - Fax: (04) 62.777.324

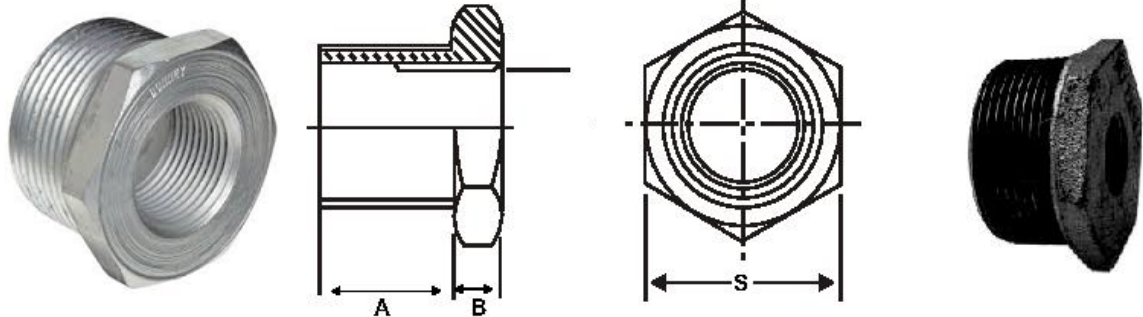
DIMENSIONS SIZES AND SPECIFICATION OF HEXAGON BUSHING - THREADED ISO 7/1
MALLEABLE GALVANIZED IRON. MATERIAL ASTM A197. DIMENSION BS 143/1256.

HOT DIP GALVANIZED AND INSPECTION EN 10242.

WORKING PRESSURE 1379 kPa (13.8 bar)

KÍCH THƯỚC VÀ THÔNG SỐ KỸ THUẬT CỦA LỖ THỤ / CÀ RÁ REN MẠ KẼM.

Fig 240
Hexagon Bushing



Size	inch	1/4x1/8	3/8 x 1/8	3/8 x 1/4	1/2x1/8	1/2x1/4	1/2x3/8	3/4x1/8	3/4x1/4	3/4x3/8	3/4x1/2	1x1/8	1x3/8	1x1/2
	mm	8x6	10x6	10x8	15x6	15x8	15x10	20x6	20x8	20x10	20x15	25x8	25x10	25x15
Dimensions	A	11.2	12.2	12.2	14.2	14.2	14.2	16	16	16	16	21	21	19.1
	B	3.6	4.3	4.1	4.8	4.8	4.8	5.6	5.6	5.6	5.6	7	7	6.4
	S	16.3	17.3	17.3	22.1	22.1	22.1	29.2	29.2	29.2	29.2	35	35	36.1

Size	inch	1x3/4	1 1/4x1/4	1 1/4x	1 1/4x1/2	1 1/4x3/4	1 1/4x1	1 1/2x1/4	1 1/2x3/8	1 1/2x1/2	1 1/2x3/4	1 1/2x1	1 1/2x1 1/4	2x3/8
	mm	25x20	32x8	32x10	32x15	32x20	32x25	40x8	40x10	40x15	40x20	40x25	40x32	50x10
Dimensions	A	19.1	24	24	24	20.3	20.3	24	24	22	22	21.1	21.1	26
	B	6.4	8	8	8	7.1	7.1	8	8	9	9	7.9	7.9	9
	S	36.1	45	45	45	44.7	44.7	49	49	50	50	50.8	50.8	64

Size	inch	2x1/2	2x3/4	2x1	2x1 1/4	2x1 1/2	2 1/2x3/4	2 1/2x1	2 1/2x1 1/4	2 1/2x1 1/2	2 1/2x2	3x3/4	3x1	3x1 1/4
	mm	50x15	50x20	50x25	50x32	50x40	65x20	65x25	65x32	65x40	65x50	80x20	80x25	80x32
Dimensions	A	28	26.5	26	22.4	22.4	29	30	32	29	29	32	35	35
	B	1.1	1.1	9	8.6	8.6	1.1	12	12	1.1	1.1	12	13	13
	S	63.2	63.2	63.2	63	63	80	80	80	80	79	79	94	95

Size	inch	3x1 1/2	3x2	3x2 1/2	4x1	4x1 1/4	4x1 1/2	4x2	4x2 1/2	4x3	6x2	6 x 2 1/2	6x3	6x4
	mm	80x40	80x50	80x65	100x25	100x32	100x40	100x50	100x65	100x80	150x50	150x65	150x80	150x100
Dimensions	A	35	28.7	32	37	37	37	36	41	31	40	40	40	40
	B	13	12.2	12	14	14	14	15	15	12.7	29	29	29	29
	S	95	83.3	94	121	121	121	120	120	117.3	172.8	172.8	172.8	172.8

